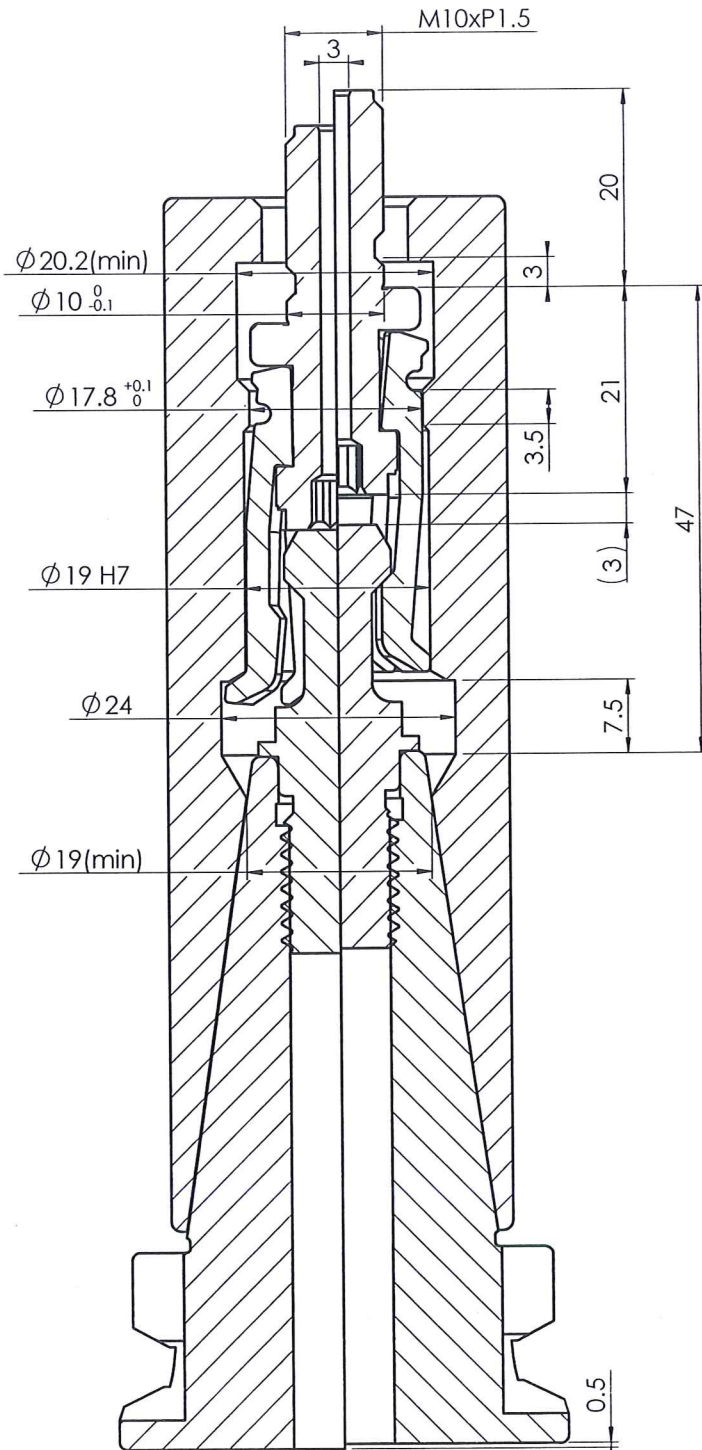




Mark	Changes	Results	Date	Engineer



**CHUMPOWER**  
 ~R&D~  
 JAN 18, 2019  
**Issued**

業務

 Hole Center Distance tolerance $\pm 0.2$	Drawn by Jan.16.2019 Roy	 <b>CHUM POWER MACHINERY CORP.</b>			
	Design by Jan.16.2019 Roy				
General Tolerance ≤6 ±0.1 >6 ±0.2 >30 ±0.3 >120 ±0.5 >315 ±0.8 >1000 ±1.2 Angle ±0.5	Revision Jan.18.2019 Gagliano	Part No. A4	BA900BGB30001A		
	Approval Jan.18.2019 Gagliano	Date Name	System Spindle/Gripper	ASM No. BERG-BT30	Scale 1.3:1
	Material :	Surface Treatment :	Heat Treatment :	Unit	