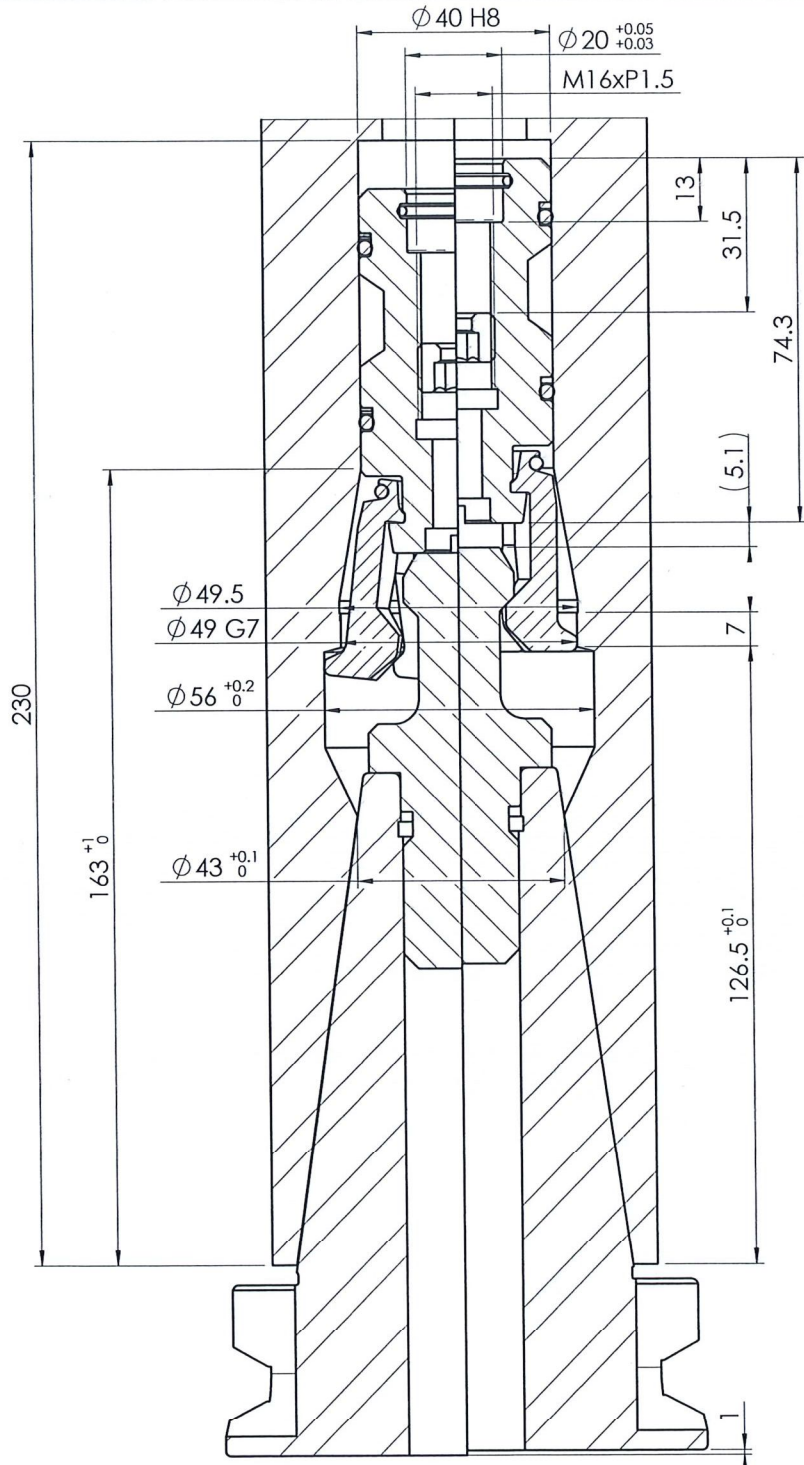
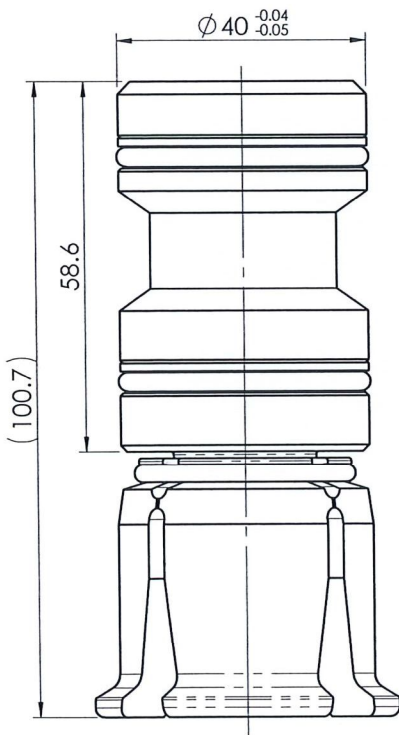


Mark	Changes	Results	Date	Engineer

CHUMPOWER
~ R & D ~
DEC.29. 2023
Issued

FOR REFERENCE ONLY
WE RESERVE THE
RIGHT TO MODIFY



 Hole Center Distance tolerance ± 0.2	Drawn by	29. DEC. 2023	Joy	 CHUM POWER MACHINERY CORP.				
	Design by	29. DEC. 2023	Joy					
General Tolerance <6 ± 0.1 >6 ± 0.2 >30 ± 0.3 >120 ± 0.5 >315 ± 0.8 >1000 ± 1.2 Angle ± 0.5	Revision	29. DEC. 2023	Roy	Title	Gripper(RÖHM-BT50-45°)			
	Approval	29. DEC. 2023	Roy	Part No.	A4	BA900RMB50001A		
	System	Spindle/Gripper	Date	Name	ASM No.	RÖHM-BT50(90207)	Scale	1:1.55
	Material :		Surface Treatment :		Heat Treatment :		Unit	