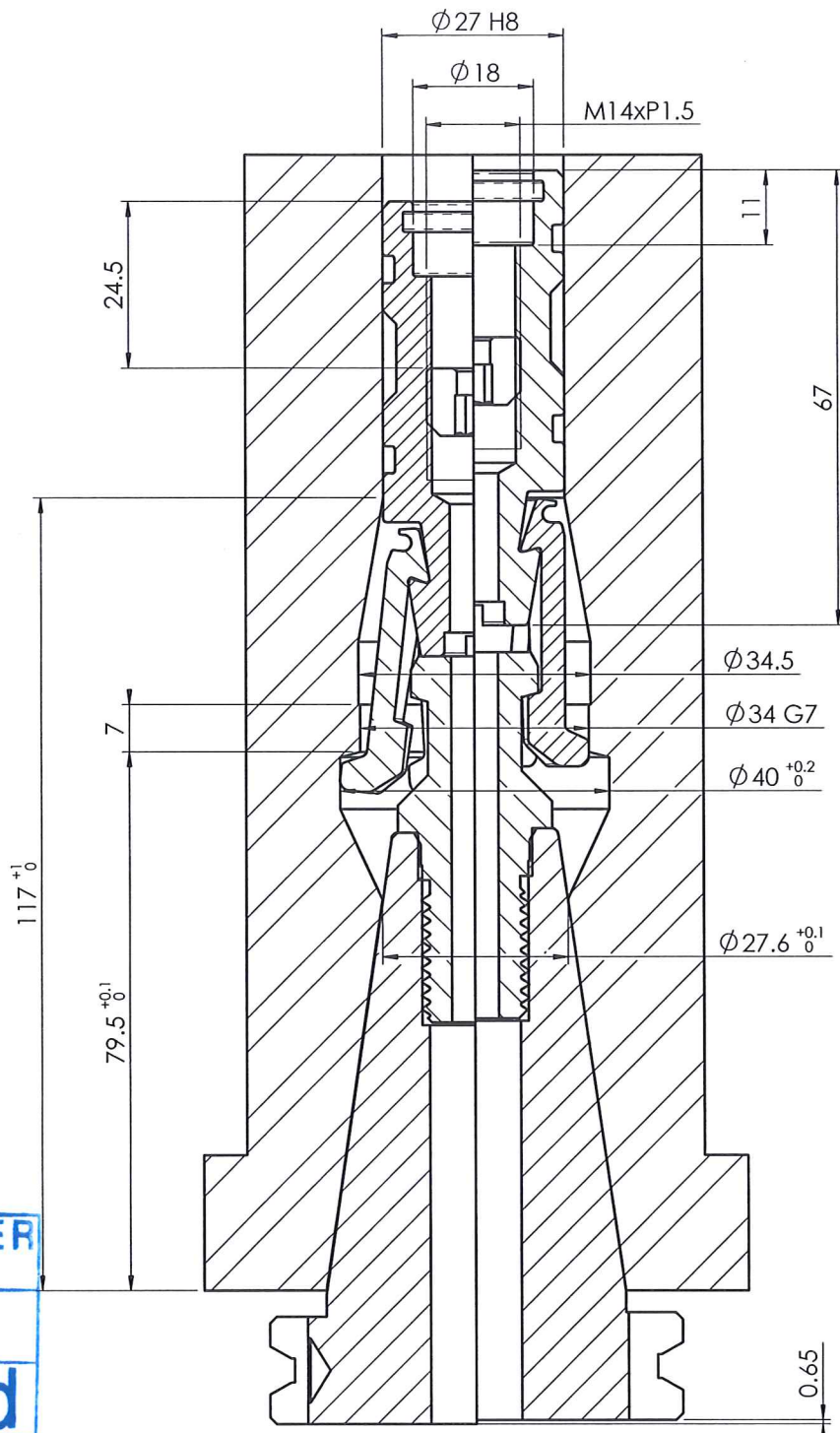


Mark	Changes	Results	Date	Engineer



CHUMPOWER
~ R & D ~
JAN 18, 2019
Issued

業務

 Hole Center Distance tolerance ± 0.2	Drawn by	Jan. 17, 2019	Roy	 CHUM POWER MACHINERY CORP.				
	Design by	Jan. 17, 2019	Roy					
General Tolerance ≤6 ± 0.1 >6 ± 0.2 >30 ± 0.3 >120 ± 0.5 >315 ± 0.8 >1000 ± 1.2 Angle ± 0.5	Revision	Jan. 18, 2019	Gylin	Title OTT-DIN40				
	Approval	Jan. 18, 2019	Gylin					
		Date		Name	Part No.	A4	BA900TTD40001A	
	System	Spindle/Gripper	ASM No.	OTT-DIN40	Scale	1:1.1		
Material :	Surface Treatment :		Heat Treatment :		Unit			